

PRESSNET



sunthinks

Up to 64 m²/ minute!

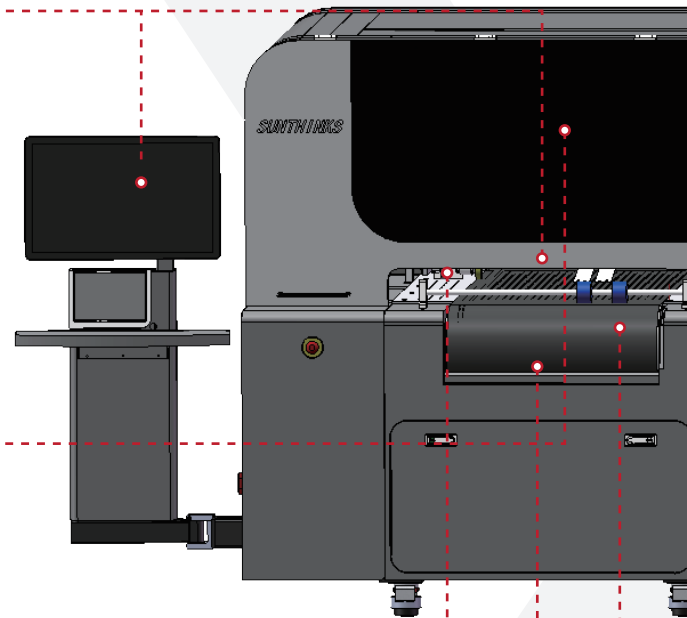


SHENZHEN SUNTHINKS TECHNOLOGY CO., LTD

LED-UV Ink Jet!

PRODUCT FEATURES

- Adopts a PLC control system, self-developed special print head board, patent protection, unique in the market, good stability, self-contained image feathering function and variable data printing, support multi-task continuous printing.
- The printer is equipped with an automatic negative pressure cycle ink supply system, which can automatically discharge the air in the ink path. The life time of the print head is more than 2 years, and a protection device is designed to prevent the print head from being damaged by materials.
- The self-developed delivery belt (patented) has high-precision automatic deviation correction function and reasonable layout of suction holes to ensure that the printing material is more stable while going through on printing platform.
- The printer is equipped with sensitive automatic calibration system, automatic printing positioning system, and equipped with multiple sensors to accurately position and print.
- Fully digital single pass printer, it can print when it is turned on, the printing cost is low, the speed is fast, the production efficiency is high, no need for plate making, and it can be printed by importing pictures. The max printing length of a single image is 5m. **The max printing accuracy is 600dpi*1200dpi and the fastest printing speed at 600 x 300 dpi is 50m/min.**



APPLICATION SCHEME

UV single pass printer is a high-tech plate-free full-color digital printing machine. It is not limited by materials. It can print on various plastic products, PVC, ABS, acrylic, hollow board, coated paper, white cardboard, coated paper, aluminum-plastic board, wood board, Color photo-level printing on the surface of glass, metal plate, ceramic tile, foam board, cardboard and other materials.

Various plastic products



Art paper



Wood



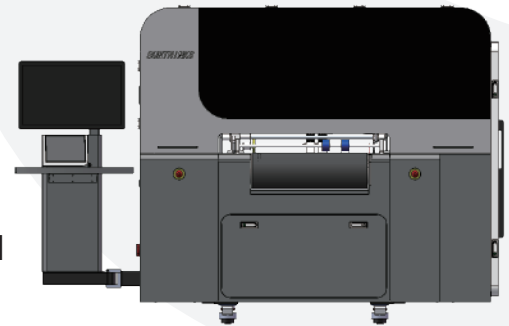
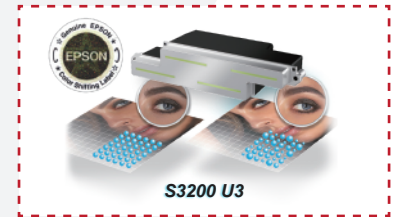
Other



UV DIGITAL PRINTING MACHINE

NOZZLE ADVANTAGE

- **Epson authorized original S3200 U3 print head**, variable ink dots, 4-level gray-scale printing.
- S-shaped design saves space, easy to expand, and more efficient in production.
- Support variable data printing, multi-task continuous printing.
- The print head has a built-in unique ink circulation system, automatic ink pressure, double negative pressure circulation ink supply system.
- High-precision positioning holes make replacement and installation easier without more adjustments.
- Self-developed special print head Card board and software.
- A number of patented technology protection.



NOZZLE PARAMETER

Nozzle model	Epson S3200-U3
Ink type	UV ink
Effective print width	120mm/230mm/345mm/460mm/575mm/690mm/805mm/920mm/1035mm/1150mm /1280mm
Ink drop volume	4.8-9-15 (U3)
printing resolution	600×600, 600×1200
Nozzle number	3200(Net 2,840)
Nozzle row number (inch)	1/300
Nozzle row number	2
Nozzle size	150.4mm×30mm×52mm
Nozzle weight	235g
Injection frequency	48 (single point), 24KHz (multipoint)
Corresponding ink viscosity	8~9 mPa·s

COMPANY INTRODUCTION



Shenzhen Sunthinks Technology Co.,Ltd is a professional high-tech enterprise which specialize in manufacturing Corrugated digital printer,UV digital printer.With our independent intellectual property rights, we integrate development, production and marketing in the filed of UV digital printing equipment.

We persue innovation, which devote to offer the whole high quality and efficiency printing solutions to meet different requests of various industries.



PRODUCT PARAMETER

Product Name	UV digital printing machine			
Brand	Sunthinks			
Printhead	S3200 U3			
Colors	C/M/Y/K/W			
Ink	UV ink			
Printer Model	SU120/SU230/SU345	SU460/SU575	SU690/SU805	SU920/SU1035/SU1150
Printhead Quantity	4~15pcs	16~25 pcs	24~35 pcs	32~50 pcs
Printing Size	Max 345mm	Max575mm	Max 805mm	Max 1280mm
Power	4.5kw	5kw	7kw	8kw
Feeding Width	Max 600mm	Max 1200mm	Max 1600mm	Max 2000mm
Printer Weight	900kg	1046kg	1600kg	2000kg
Printer Size	1900mm*1830mm*1700mm	2650mm*2250mm*1650mm	3550mm*2250mm*1810mm	4120mm*2250mm*2200mm
Application	various plastic products、 acrylic、 hollow board、 coated paper、 wood board、 glass、 tile、 cardboard、 etc.			
Printing Speed	600dpi*1200dpi : 15m/min = 19m ² /min, 600dpi*600dpi : 35m/min = 45m ² /min, 600dpi*300dpi : 50m/min = 64m ² /min			
Feeding Height	max Max 100mm			
Auto Feeder	Optional: Roll or Sheet or both			
Customized Service	Yes			
After-Sales Service	24/7 Online Service/Lifetime After-Sales/Engineer On-Site Service			

www.pressnet.com.au

pressnet@pressnet.com.au
0412720060